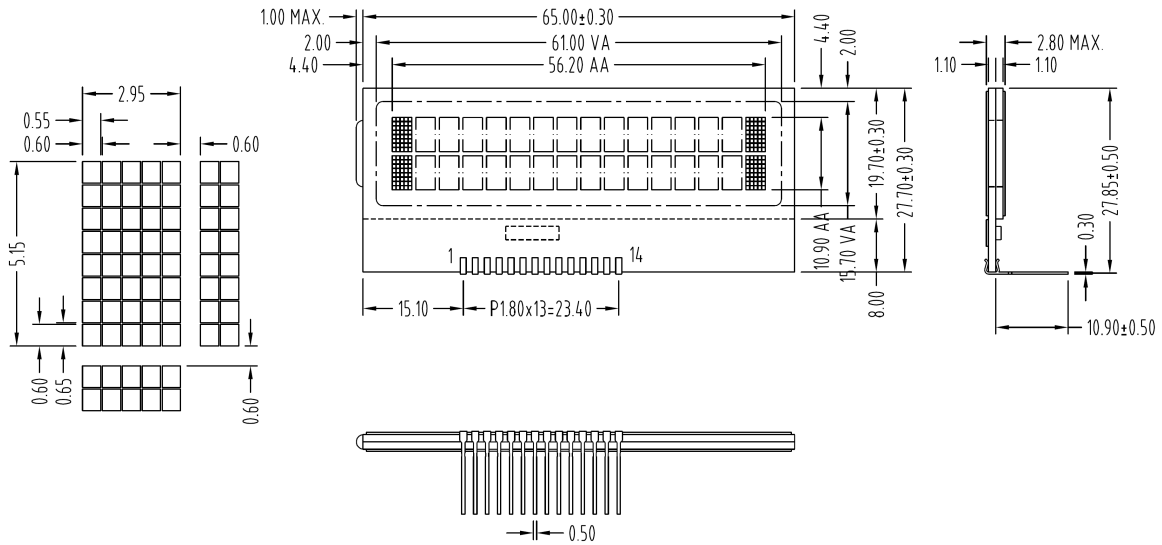


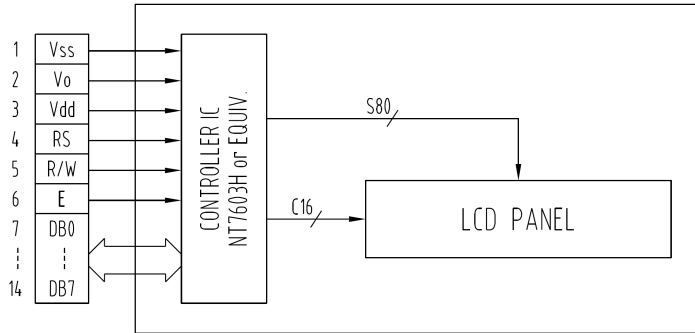
## 162COG Series

16 Characters x 2 Line, 1/16 Duty, 1/5 Bias

### EXTERNAL DIMENSION



### BLOCK DIAGRAM



### INTERFACE PIN CONNECTIONS

PIN NO.	SYMBOL	LEVEL	FUNCTION
1	Vss	0V	Ground
2	Vo	---	Input voltage for LCD
3	Vdd	5.0V	Supply voltage for logic
4	RS	H/L	H : Data signal, L : Instruction signal
5	R/W	H/L	H : Read mode, L : Write mode
6	E	H,H→L	Chip enable signal
7	DB0		Data bit 0
...	...	H/L	...
14	DB7		Data bit 7

### MECHANICAL SPECIFICATIONS

ITEM	NOMINAL DIMENSIONS	UNIT
Module Size (W x H x T)	65.0 x 27.7 x 2.80 (NOT INCLUDING PINS)	mm
Viewing Area (W x H)	61.0 x 15.7	mm
Character Pitch (W x H)	3.55 x 5.75	mm
Character Size (W x H)	2.95 x 5.15	mm
Character Font	5 x 8 DOTS	---
Dot Pitch (W x H)	0.60 x 0.65	mm
Dot Size (W x H)	0.55 x 0.60	mm